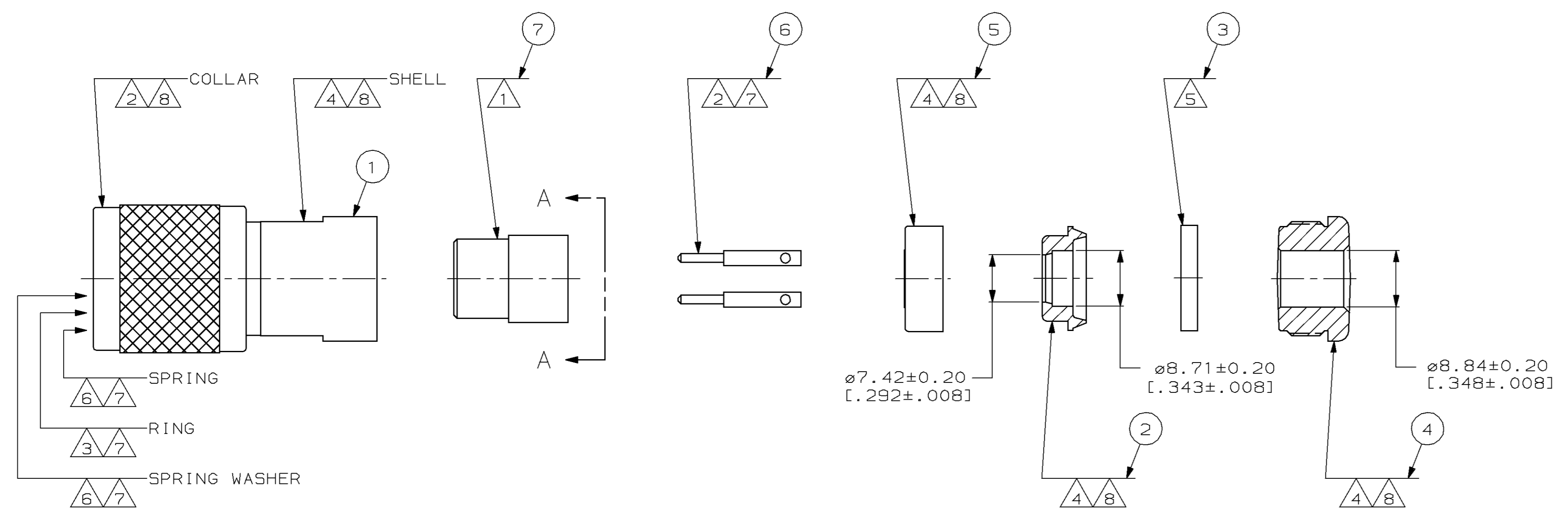
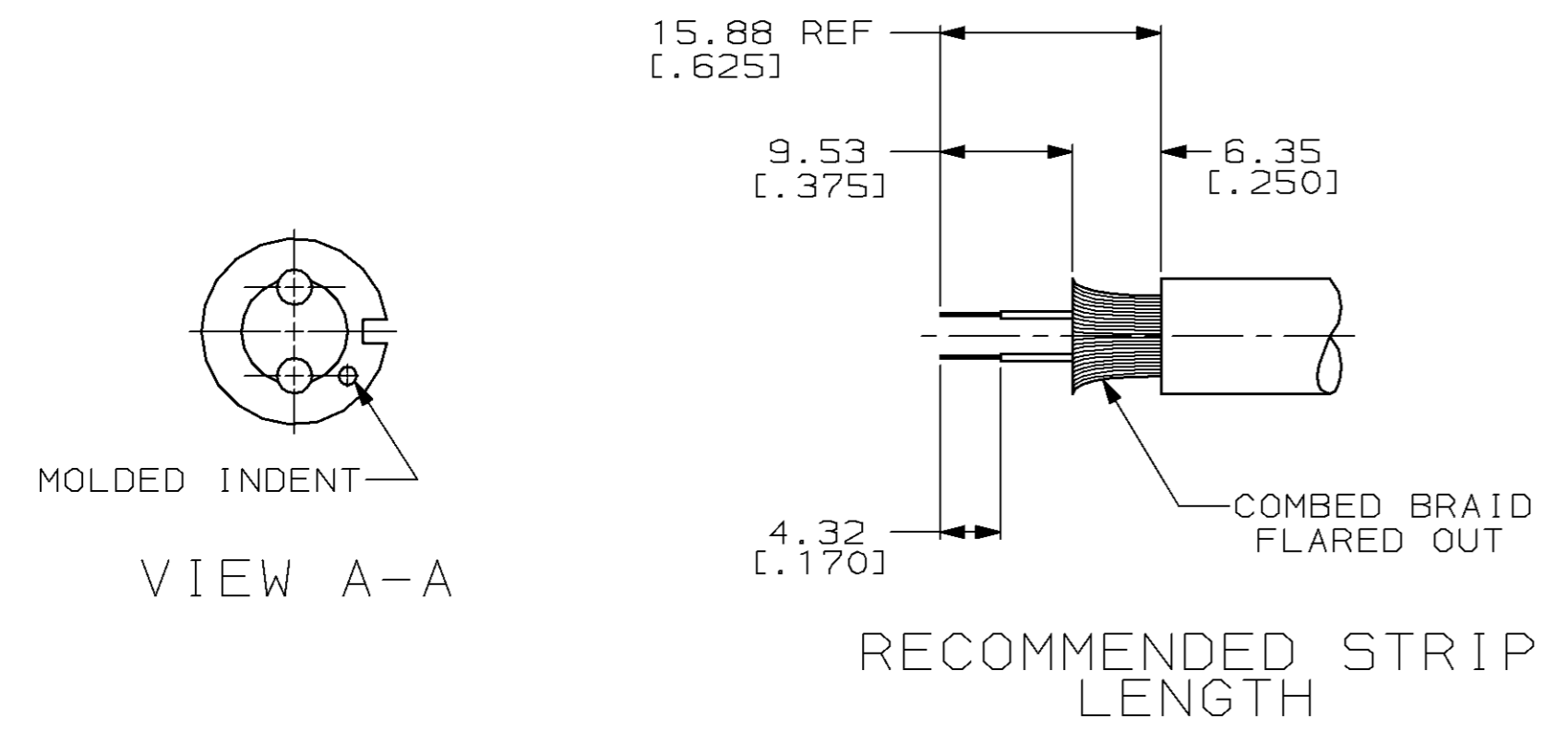
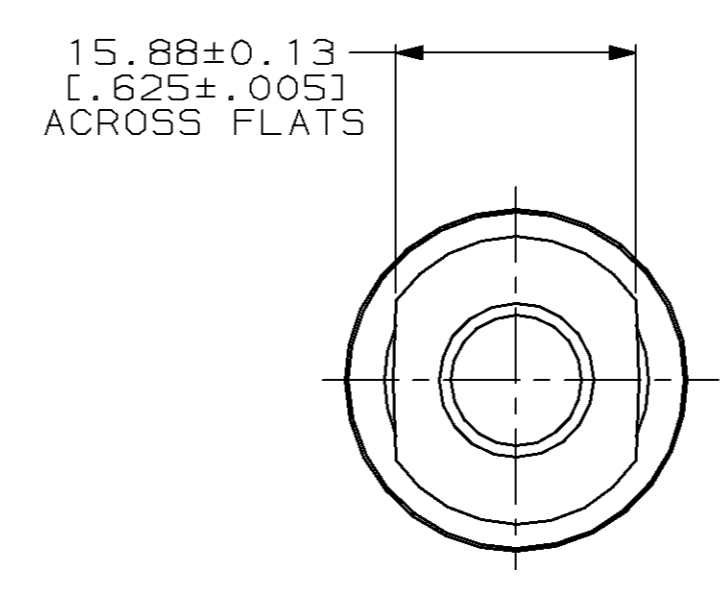
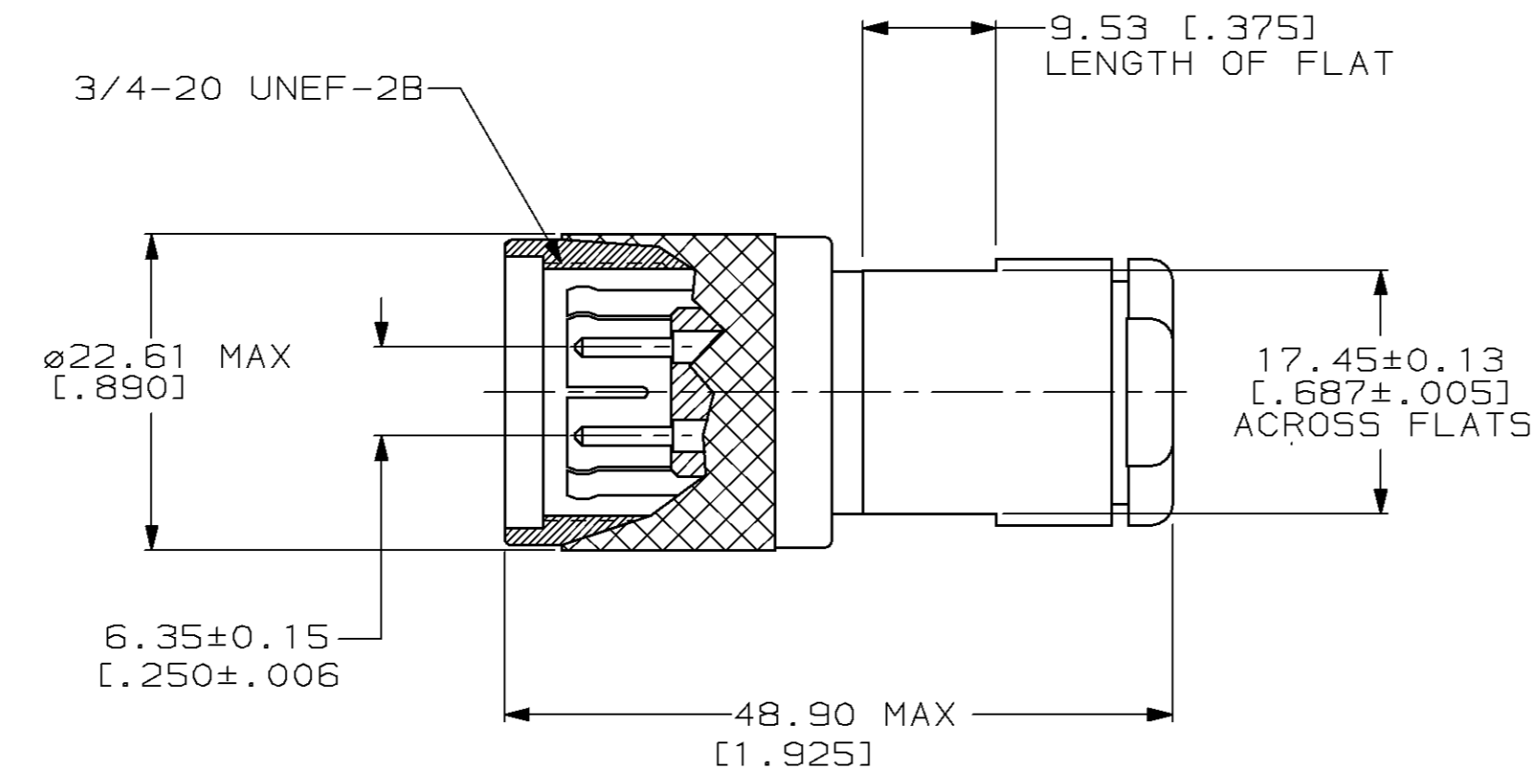
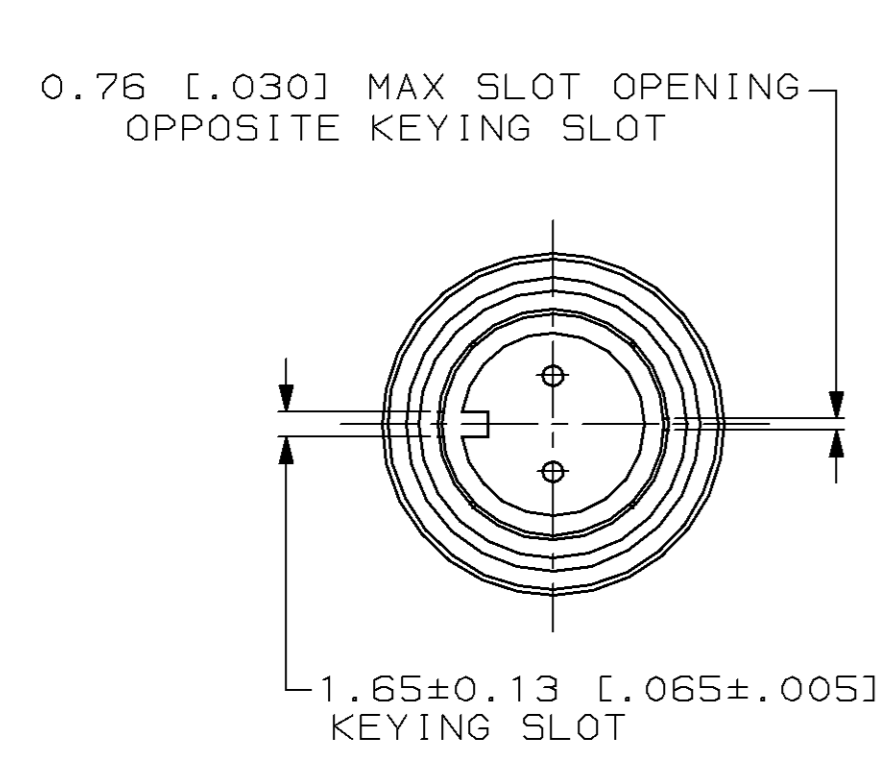


LOC		DIST		P		F		ZONE		LTR		REVISIONS			
NO	REV	NO	REV	NO	REV	NO	REV	NO	REV	NO	REV	DESCRIPTION	DATE	APPD	
AJ	16											5	REVISED PER 0502-0001-96	8-7-96	JG



- 1 POLYESTER, PBT, MIL-M-25419
- 2 BRASS PER QQ-B-626
- 3 BRASS PER ASTM-B-135
- 4 ZINC PER QQ-Z-363
- 5 SILICON RUBBER PER ZZ-R-765
- 6 PHOSPHOR BRONZE PER QQ-B-750
- 7 SILVER PL PER QQ-S-365
- 8 NICKEL PL PER QQ-N-290
- 9. FOR USE WITH IBM 7362211 & BELDEN 9207 AWM STYLE 2498 CABLE



227251-2	227250-2	227248-2	227249-2	227247-1	227246-2	227242-1	227241-1
7 DIELECTRIC QTY=1	6 CONTACT QTY=2	5 SLEEVE QTY=1	4 NUT QTY=1	3 GASKET QTY=1	2 CLAMP QTY=1	1 PLUG ASSY QTY=1	PART NUMBER

DO NOT SCALE PRINT. UNLESS SPECIFIED DIMENSIONS IN mm [INCHES]		DR J. KURTZ 1/8/90		AMP INCORPORATED Harrisburg, Pa. 17105	
TOLERANCES ON:		CHK R.E. RUTH 1/22/90		NAME	
2 PLC DEC ± .016		APPD J.GIBBS 1/22/90		PLUG, SERIES TWIN	
3 PLC DEC ± .016		APPD R.E. RUTH 1/22/90		SIZE D	
ANGLES ± -		MATERIAL 1 THRU 6		CAGE CODE 00779	
FINISH 7 8		APPLICATION SPEC -		DRAWING NO 227241	
WEIGHT -		SCALE 2:1		SHEET 1 OF 1	